

# CTB Stainless Steel Enclosures

## Product Introduction

Eaton's Crouse-Hinds is premier manufactures of high quality and robust enclosure/termination assemblies. They are specifically designed to meet the requirements of the most demanding industrial and hazardous area environmental applications. With over 30 years of experience in the design, engineering and manufacturing of enclosures and termination assemblies, Crouse-Hinds provides a proven, tried and tested solution to meet the toughest installation requirements.

The CTB range is an "ATEX" "IECEX" and "GBEx" certified enclosure /termination solution available in various options of materials and finishes fully complaint with the related impact, thermal and ingress protection requirements. It is also available in wide range of sizes ensuring we can meet a multitude of applications.



The 1/4 turn lock or the retained stainless steel slotted hex bolt fastenings provide a rapid means of achieving high integrity ingress protection (IP66) for reliable & rapid environmental protection.



The RAKU-PUR® PU is a sealing gasket for excellent ingress protection (IP66), good recovery and re-sealing properties which was used to replace silicon gasket as an cost performance solution.



The high integrity "single piece" sealing gasket for superior ingress protection (IP66), excellent recovery and re-sealing properties for continuous environmental protection.

# CTB Stainless Steel Enclosures

## Technical Data

<b>Material/Finish</b>	316L Stainless Steel (1.4404 to EN10088) 304 Stainless Steel (1.4301 to EN10088) Electro chemical polish or powder coating stainless steel box available to order
<b>Gasket material</b>	RAKU-PUR® or one-piece closed cell silicon(option)
<b>Door fastening</b>	Captive stainless steel bolt or 1/4 turn lock (option) (lock material zinc alloy with chromium plated or SS316L on request) Stainless Steel hinge with silicon gasket
<b>Door option mounting</b>	Factory fitted padlock HASP
<b>Enclosure mounting</b>	CTB191910, CTB252512-2 x external welded lugs Ø 8 mm holes CTB163812, CTB254013, 4 x external welded lugs Ø 8 mm holes CTB383822, CTB406022, 4 x external welded lugs Ø 11mm holes
<b>Internal equipment mounting</b>	CTB191910-CTB254013 internally welded TAS20 rail for DIN rail terminal mounting CTB383822-CTB406022 4 x standoff pillars Ø 9mm, 25mm high, tapped M6
<b>Gland plate</b>	OPTIONAL 3mm removable gland plate on request (Only 383822, 406022, 1 piece gland plate on bottom)
<b>Enclosure earth/ground</b>	M6 internal/external brass earth/ground stud assembly, M10 for CTB383822,CTB406022 (SS earth/ground stud on request)
<b>Degree of protection</b>	IP66 to EN60529
<b>Ambient temperature range</b>	T6: -35°C ~+40°C (RAKU-PUR® PU), T5: -35°C ~+55°C (RAKU-PUR® PU), T6: -55°C ~+40°C (Silicon), T5: -55°C ~+55°C (Silicon)
<b>Operating temp range</b>	-35°C~+85°C (RAKU-PUR® PU), -55°C ~+145°C (Silicon)
<b>Impact resistance</b>	7 J (Nm) to EN60014
<b>Certification</b>	Ex e II T5/T6, Ex e[ia] IIC T5/T6, Ex ia IIC T5/T6, DIP A21 T <sub>A</sub> , T5/T6 IP66
<b>Marking acc. to ATEX</b>	⊕ II 2 G Ex e II T5/T6 Gb, Ex e[ia] IIC T5/T6Gb, Ex ia IIC T5/T6Gb (LCIE 09ATEX 3085X) ⊕ II 2 D Ex tD A21 IP66 T95 °C~T80 °C (LCIE 09ATEX 3086X)
<b>Marking acc. to GB</b>	Ex e II T5/T6, Ex e[ia] IIC T5/T6, Ex ia IIC T5/T6 DIP A21 T <sub>A</sub> T5/T6, IP66 (NEPSI GB)
<b>Marking acc. to IECEx</b>	Ex e II T5/T6 Gb, Ex e[ia] IIC T5/T6 Gb, Ex ia IIC T5/T6 Gb Ex tD A21 IP66 T95 °C~T80 °C (IECEx Certification CQM 10.0007)



An integral external & internal feed through brass earth/ground stud assembly enables rapid and reliable protective earth/ground connection, mounted on the side of the enclosure, for ease of access.(Stainless steel earth/ground stud assembly as an option)



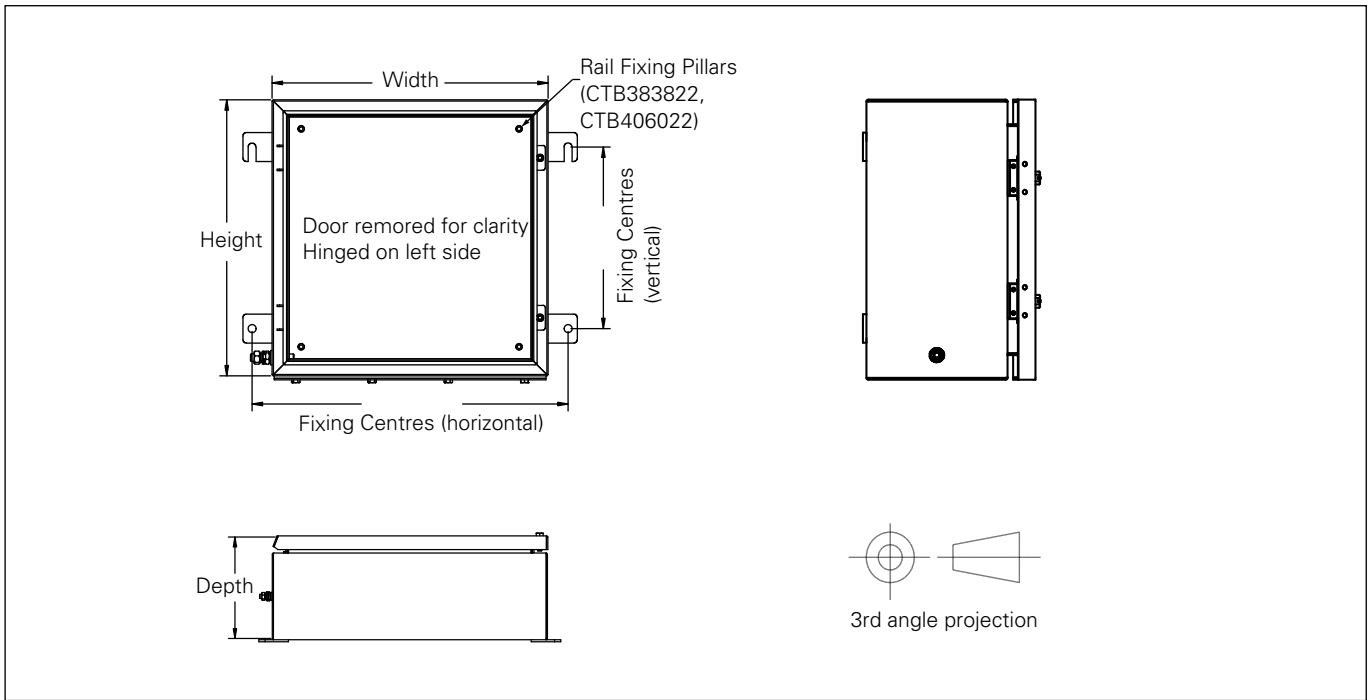
A special designed flat surface integral drainage channel prevents liquids or other solids contaminants from running in or falling into the enclosure when the door is opened. This design also prevent gasket from becoming broken when the door is tight closed.



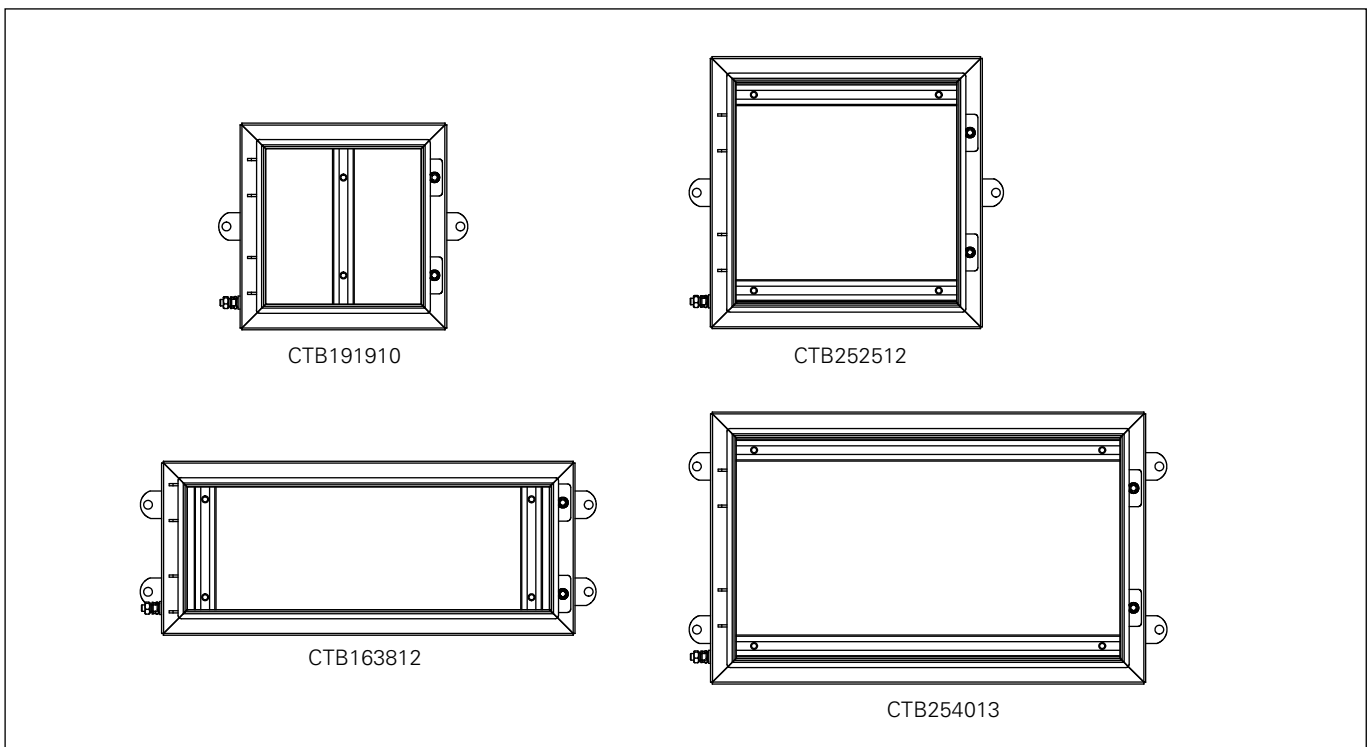
Security padlock HASP option.

# CTB Stainless Steel Enclosures

## CTB Range Enclosure-General Arrangement



## Internal Mounting of TAS20 Welded Rail



# CTB Stainless Steel Enclosures

## CTB Enclosure Technical Data

CCH Part No.		CTB191910	CTB252512	CTB163812	CTB254013	CTB383822	CTB406022
Enclosure Dimensions	(Height x Width)	190 x 190	250 x 250	160 x 380	250 x 400	380 x 380	400 x 600
	Depth, m	m100	120	120	130	220	220
Enclosure Fixing Centres, mm	(Vertical x Horizontal)	215	275	80 x 405	150 x 425	250 x 435	264 x 656
Gland Plates		0 GP	0 GP	0 GP	0 GP	0 GP (1 GP on request)	0 GP (1 GP on request)
Material Thickness, mm	Body						
		1.5	1.5	1.5	1.5	1.5	1.5
	Lid	1.5	1.5	1.5	1.5	1.5	1.5
Weight in Kg (Empty enclosure)		3.2	4	4	5.6	9	13.4
Terminal Mounting Rail							
Rail Fixing Centres, mm	Vertical	130	180	300	180	280	300
Overall Rail Length, mm	Vertical	150	200	320	200	300	320
Available Glanding Area, mm							
	Top & Bottom	184 x 83	244 x 103	372 x 103	394 x 113	374 x 203	594 x 203
	Left	140 x 83	200 x 103	130 x 103	220 x 113	324 x 203	344 x 203
	Right	184 x 83	244 x 103	154 x 103	244 x 113	374 x 203	394 x 203
Maximum Entries							
	M16	18	32	50	54	100	164
	M20	8	18	29	30	57	93
	M25	7	10	15	16	40	65
Top & Bottom	M32	3	7	12	13	24	40
	M40	2	3	5	6	15	26
	M50	2	3	4	5	8	14
	M63	0	2	3	4	6	11
Left	M16	18	32	20	32	100	108
	M20	8	18	11	18	57	60
	M25	7	10	6	10	40	40
	M32	3	7	4	7	24	26
	M40	2	3	2	3	15	17
	M50	2	3	1	3	8	9
	M63	0	2	1	2	6	7
Right	M16	14	26	44	48	88	92
	M20	6	14	24	26	48	51
	M25	5	8	14	14	33	35
	M32	2	6	10	11	20	22
	M40	2	3	5	5	12	14
	M50	1	2	4	4	7	7
	M63	0	2	3	3	5	6
Terminal Content							
Terminal Type (thickness)	Terminal Rail Orientation						
2.5mm <sup>2</sup> (6mm wide)	Vertical	1 x 21	2 x 31	1 x 55	3 x 31	3 x 42	3 x 46
4mm <sup>2</sup> (6.5mm wide)	Vertical	1 x 18	2 x 26	1 x 46	3 x 26	3 x 39	3 x 42
6mm <sup>2</sup> (8mm wide)	Vertical	1 x 13	2 x 19	1 x 34	3 x 19	3 x 32	3 x 34
10mm <sup>2</sup> (10mm wide)	Vertical	1 x 10	2 x 15	1 x 28	3 x 15	3 x 25	3 x 27

## Extended Definition of Part No.

CTB 316LSS-1/4 turn lock	CTB <b>S1</b> XXYYZZ0	CTB 316LSS-bolt fastening	CTB <b>S1</b> XXYYZZ0- <b>B</b>
CTB 304SS-1/4 turn lock	CTB <b>S2</b> XXYYZZ0	CTB 304SS-bolt fastening	CTB <b>S2</b> XXYYZZ0- <b>B</b>
CTB 316LSS-1/4 turn lock, silicone gasket	CTB <b>S1</b> XXYYZZ0 <b>C</b>	CTB 316LSS-bolt fastening, silicone gasket	CTB <b>S1</b> XXYYZZ0- <b>BC</b>
CTB with 1pc gland plate	CTB <b>S1</b> XXYYZZ1	CTB with painting-bolt fastening	CTB <b>PS</b> 1XXYYZZ0- <b>B</b>
		CTB-padlock hasp	CTB <b>S1</b> XXYYZZ0- <b>HASP</b>